

BSC1409D5 performance line



Note: This is a merely informative, non-binding document. Maximum theoretical values listed. Specifications are subject to change without prior notice. Photos and drawings are for illustrative purposes only, they can include optional configuration. For available options, please consult the factory.

Advantages of the BSC Performance Line serie

- Familiar Putzmeister quality

Known performance and quality – Like every Putzmeister machine, the Performance Line models are characterised by **high performance, low operating costs and high parts and components quality.**

- Standardized configuration

The equipment of the Performance Line is firmly defined. The configuration includes **all that a crawler concrete pump need to cope with everyday piling site work.**

- Short delivery times and attractive prices

The Performance Line models are produced with standardized processes in stock, limiting the customer-specific adaptation, what means – **wide availability, at attractive prices!**

Crawler chassis

Crawler	Steel
Weight	7950 kg
Diesel engine	Deutz 150 kW (204 hp) EU-Stage V (US-Tier 4f)
Diesel tank	120 l
Max. Speed	1.7 km/h
Water tank	500 l
Water pump for cleaning	20 bar 50 l/min
Compressor	820 l/min
Boiler	60 l
Remote control	Radio (drive and pump) Cable (pump)
Paintwork	Arctic White (MB9147)

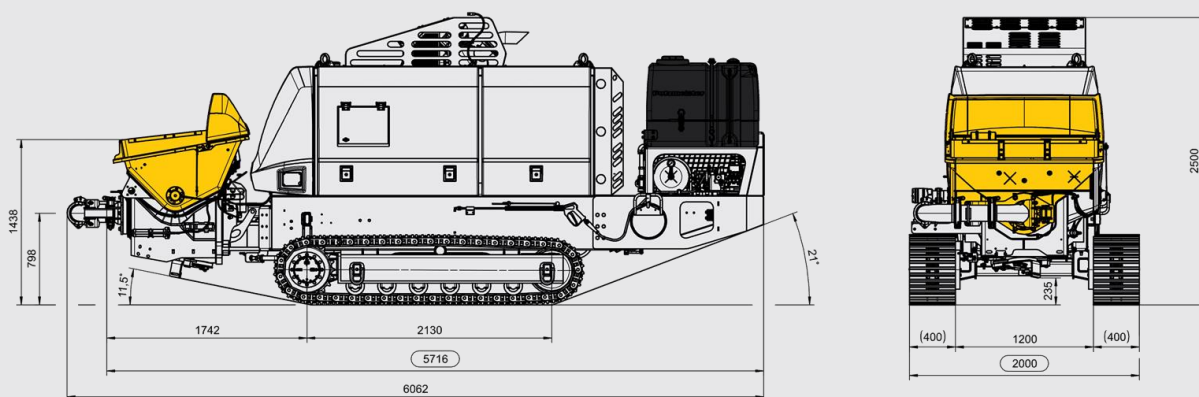
Putzmeister concrete pump

Output (rod / piston side)	97 / 67 m ³ /h
Pressure (rod / piston side)	71 / 106 bar
Stroke	1,400 mm
Cylinder Ø (rod / piston side)	110 / 63 mm
Strokes/min (rod / piston side)	37 / 25
Hopper capacity	600 l
Vibrator	Electric

All data represent theoretical maximum values
It is not possible to pump with maximum outputs and maximum transport pressures at the same time.

BSC1409D5 *performance line*

Dimensions



Optionals

- Automatic central lubrication
- High-pressure water pump: 140 bar, 13.2 l/min
- Delivery pistons "Longlife" (replaces pistons "Standard")
- Hard metal wear parts kit
- Delivery output line
- Crawler pads
- Step for cleaning the hopper
- Extra radio remote control
- Extra emergency buttons
- Fire extinguisher
- Lighting kit for driving and pumping
- Pump-pilot communication/control system

More than 35 years of experience in crawler concrete pumps for piling guarantee us. Based on this experience we believe the following options are the most suitable for your projects.

Putzmeister Ibérica S.A
Camino de hormigueras, 173, 28031, Madrid (Spain)
Tel. +34 91 428 8100 · Fax. +34 91 428 8027
contacto@putzmeister.com www.putzmeister.com

