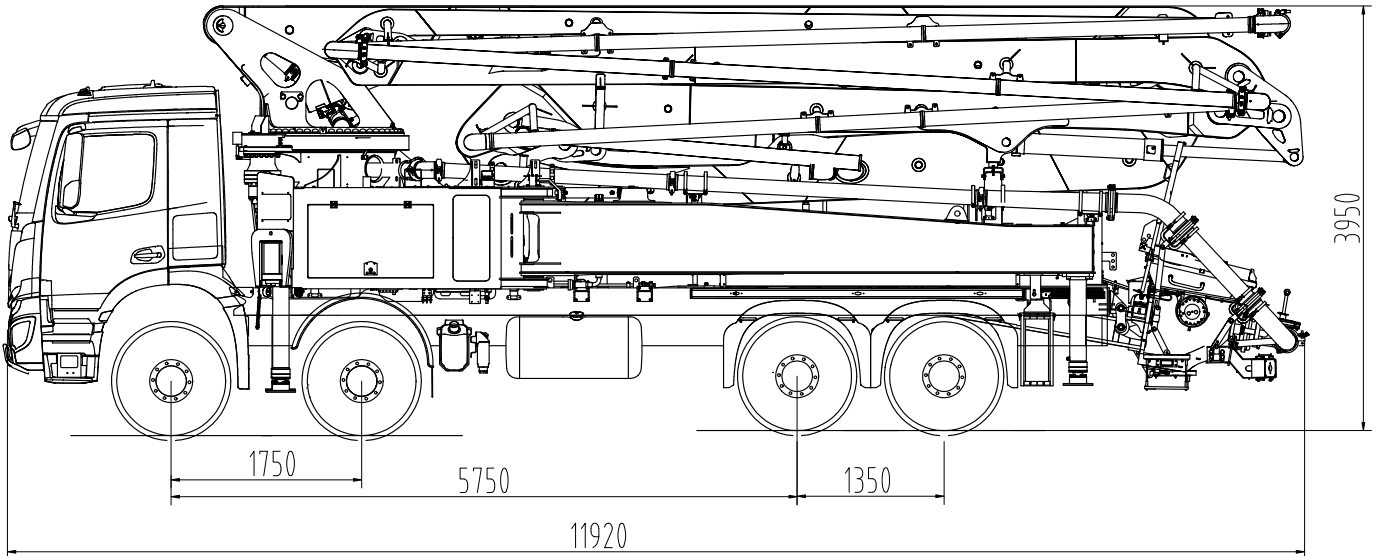
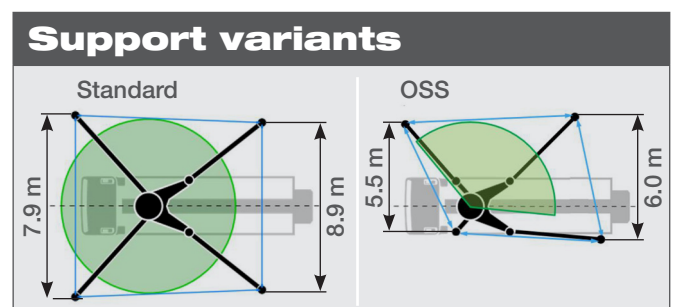
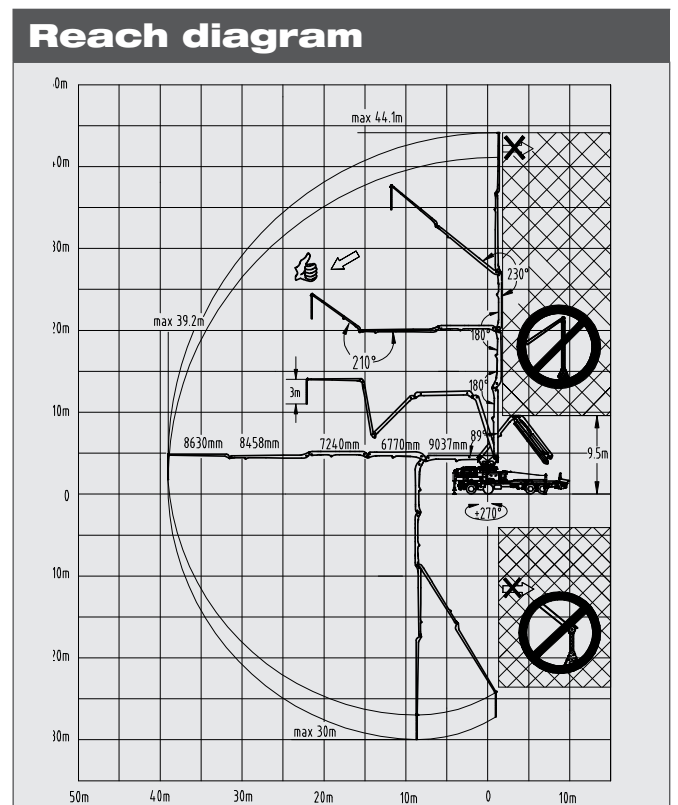


Truck-mounted concrete pump **SY45 RZ5-165**



Note: Standard version. Dimensions and weights depend on truck, pump model and equipment. For illustration only.

Technical data			
Boom	Folding system	5-arm RZ	
	Vertical reach	44.1 m	
	Horizontal reach	39.2 m	
	Reach depth	30.0 m	
	Unfolding height	9.5 m	
	End hose length	3 m	
Support	Outrigger spread front / rear	7.9 m / 8.9 m	
Dimensions	Overall length	11.92 m	
	Width	2.5 m	
	Height	3.95 m	
Core pump		Rod side	Piston side
	Output	163 m ³ /h	96 m ³ /h
	Pressure	70 bar	120 bar
	Strokes/min	35	20
	Delivery cylinder Ø	230 mm	
	Stroke length	1900 mm	



Boom delivery line max. 85 bar. All data max. theor.
Support width based on center of support leg.
OSS left and right possible

Standard Equipment SY45 RZ5-165

Chassis	Towing eye	Safety	Chassis horn via remote control on hopper	
	Transfer Gear Box		Cleaning steps, right & left side	
Cleaning	Water hose 10 m with holder		Handrail on rearstep	
	Water pump 50 l/min 12 bar		Horn at the boom, button on hopper	
	Water tank 600 l		Rear steps, right side	
Delivery line	2-layer delivery line – DN 125, 5.5"		Additional features	Painting: arm assembly and delivery line in RAL 9010 Pure white
	End hose 3 m DN 125, 5.5"			Painting: pedestal and hopper in RAL 9010 Pure white
Hopper	Agitator safety switch off, lever switch			Road approval KIT
	Central auto lubrication hopper			Side deck aluminum
	Concrete hopper with agitator			Stowage box
	Hard metal wear parts kit	Underrun protection, rear, foldable with integrated lighting		
	Hopper cover, foldable	User manual and spare part list		
	Switchover cylinder diameter = 100 mm			
	Vibrator on hopper grid radio remote/on-site controlled			
Lighting	Side marker lamps			
	Working light for illuminating hopper			
Pump	Delivery cylinder chrome-plated			
	Delivery piston premium			
	Linear measurement system			
Control System	Radio remote control proportional			
	Remote control incl. 40 m cable			
	SANY SYSD 10" user interface display			
	SANY SYMC control system			
Support	Boom pedestal (X-type outrigger and swing out legs)			
	OSS one side support (assistance device)			
	Support plates (4x) in open magazine			
	Swivel support plates			

See quotation for exact serial delivery scope.

Materials and specifications are subject to change without further notice in accordance with our continuous technical innovations. Photos and illustrations may include additional equipment.
All rights reserved. 2401

Putzmeister Makine Sanayi ve Tic. A.S.

G.O. Pa a Mah.
Namık Kemal Bulvarı No:6 · 59500 Çerkezköy / TEKIRDAG
P: +902827351000 · Info.Turkey@putzmeister.com
www.putzmeister.com