



Putzmeister



60Z Truck-Mounted Boom Pump

Technical specifications

Higher value with lower operating costs



Pump efficiency

- **Wear-resistant design** of S transfer tube switch guarantees long service life
- **Optimized hopper** with bolt-in grille, improved shape, and S transfer tube storage
- **Easy replacement of components** with bolt-in concept
- **Smooth, optimized pumping** with EPS and EOC protects the pump and the vehicle
- **Optimized switchover procedure** with SN control system and Push Over avoids wear-intensive pressure peaks
- **More convenient operation** with Ergonic® 3.0, the latest concept for control hardware and software from Putzmeister
- **Agitator safety shutdown** via RFID (Radio-Frequency Identification)
- **Minimal operating costs**

Optimized coordination with EPS

The computer-aided Ergonic® Pump System (EPS) control system of the pump ensures a better performance. EPS controls the pumping process using computers to reduce boom vibration, resulting in an overall smoother performance. Ergonic® Output Control (EOC) is also an effective module: it controls the engine speed with lower fuel consumption, wear, and noise. Unfavorable areas are automatically avoided. The same applies to the SN control system and Push Over – they ensure that the concrete column is pushed very gently and wear-intensive pressure peaks are avoided.

High value with low operating costs

The common parts strategy for all Putzmeister truck-mounted concrete pumps makes it easy for you to manage your fleet, saving you time and money when its time to service your pump. Robust, maintenance-free components and a lower requirement for operating materials keep service costs within a narrow range.

ROBUST COMPONENTS
MAINTENANCE-FREE COMPONENTS
HIGH WEAR RESISTANCE

PUTZMEISTER
PERFORMANCE

Ultimate flexibility with the 6-arm boom

The 6-arm boom

Precise, easy, and safe to operate

The boom control's fast response characteristics, sophisticated routing of the delivery lines, and robust steel structure ensure precise, smooth movements.

Enormous flexibility for large construction sites

Both vertically and horizontally, the easy-to-use 6-arm RZR-folding boom offers maximum reach. The high degree of freedom of the last arm segment makes work even more flexible and safer irrespective of the structural contours of the building. The optimized kinematics ensure a maximized horizontal and spatial working area.

Benefits at a glance

- Approx. 60 m vertical reach with 6 arms in RZR-folding
- Greater flexibility – a true 6-arm placing boom with 205° rotation angle at the last hinge
- Continuous delivery line with nominal diameter of DN 125
- Standard 90° and 45° elbows with lengthened collars for a longer service life

Standard features

Concrete Pump Unit

- Free flow hydraulics
- Multi-piece piston cups
- S-Valve - 2318 hard-faced (9" to 7")
- RS 909 clean out hopper w/ solid polyurethane fold down back splash
- Hardox remixer paddles
- Hopper vibrator
- Hopper agitator safety shutdown via Radio Frequency Identification (RFID)
- Hard-chromed material cylinders
- Proximity switches w/ indicator
- Hydraulic outriggers - front & rear
- Snap-locks for outriggers & bubble level indicators
- 406 psi (28 bar) high pressure water pump
- 185 gal (700L) composite water tank
- Auto-lube grease system - boom / hopper
- Centralized lube locations
- Gauge Port Central (GPC)
- Loading decks for pipe & accessories
- Modular bolt-on flatpack
- Large side-mounted aluminum toolboxes
- Swing out step (left side)
- Operator Supervision Warning System (OSWS)
- 5" delivery line on boom & deck pipe
- Proline 3000 Putzmeister Pipe Technology (PPT) w/ 10 ft (3m) delivery hose w/ coupling
- Electric oil cooler
- Wash out kit & hose
- Light kit package at boom, pedestal, & hopper
- One-Sided Support (OSS) Outriggers
- 4 outrigger pads w/ 2 side compartments
- Wireless & cable remote

Unit Control System

- Ergonic 3.0 w/ Ergonic Output Control (EOC)
- Standard world pattern
- Radio remote w/ Ergonic Graphic Display Remote Control (EGD-RC) w/ full proportionality & 20m cable back-up option
- Ergonic Graphic Display in control cabinet
- Cable remote w/ full proportionality
- Remote on/off of concrete pump & remote engine off

Miscellaneous

- Ship-away kit w/ basic maintenance tools
- Operational & safety manuals
- High quality paint finish



TRDI and One-Side Support – a small footprint with a big impact



TRDI Support

With TRDI support developed by Putzmeister, you can save time and space without compromising on safety. Telescoping outriggers can be placed between obstacles and in the smallest of spaces — a huge advantage when working under restrictive setup conditions.

Narrower support with One-Sided Support (OSS)

With OSS, the outrigger footprint is reduced even further. This ensures that the boom's total reach on the fully supported side is optimally used.

Other Available Options

High pressure washer (2000 psi / 138 bar)

Hopper step (right hand side) hinged

Oil tank heater

Outrigger saddle tank / fuel selector valve

Partial Flow Filter / Dehydrator

Squeeze valve air line installation

Squeeze valve installation w/ PM EQV part

Wash-out hose reel kit

Water tank heater

iLS pump – highlights

The Putzmeister iLS pump generation is setting standards across the board

The heart of every truck-mounted concrete pump is the pump itself. The iLS pump generation delivers significantly improved data across the board and is the logical advancement of the tried and proven HLS generation.

Special features

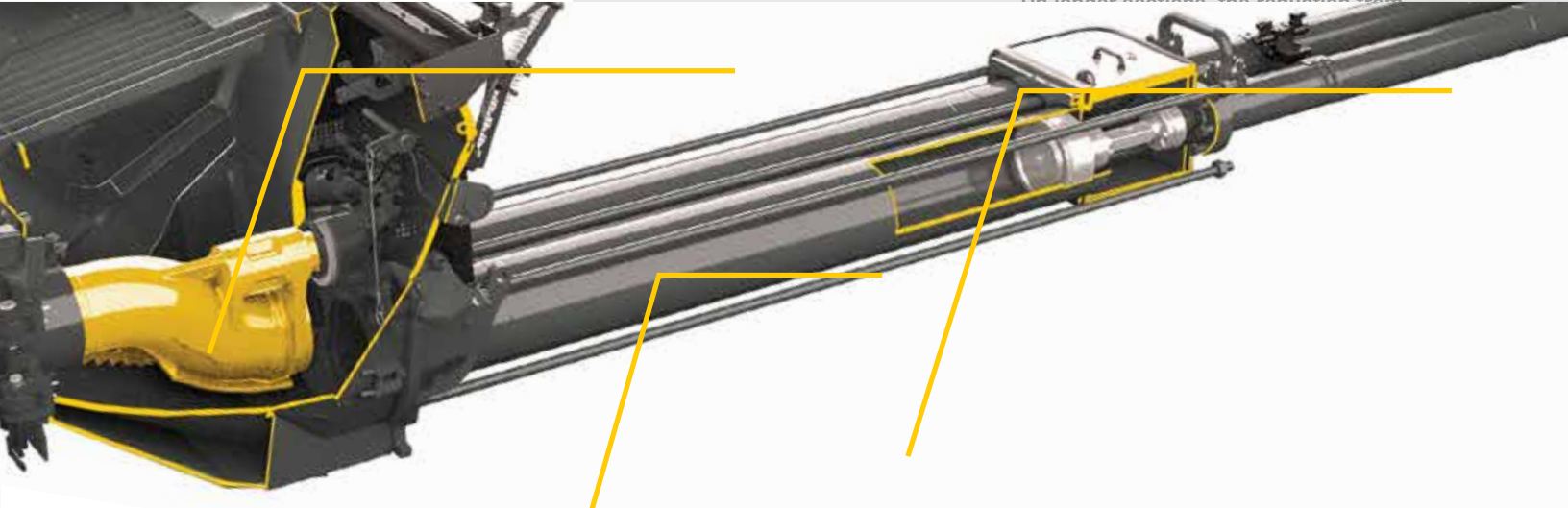
- Fuel savings of up to 25%
- 3% increased efficiency with leak prevention
- 10% better suction resulting from the elimination of constrictions in the concrete flow
- Optimized drive unit
- Optimized conveying unit – ideal for the heaviest concretes
- Reduced wear for long service life
- Optimized accessibility for maintenance and service
- Automatic stroke correction without pump interruption
- Field-tested and robust
- Reduced noise

Hopper

The hopper has a user-friendly and low-maintenance ergonomic design. It is RFID

Concrete cylinder

Eliminating the constriction before the S transfer tube has resulted in calmer pump behavior and improved efficiency. On larger sections, the reduction from



S transfer tube

The hardened valve operates smoothly and guarantees extreme durability.

S transfer tube swivel bearing

The hopper wall thickness and bearing surface have been doubled for maximum reliability.

LONGER SERVICE LIFE
LOW MAINTENANCE
OPTIMIZED EFFICIENCY
OPTIMIZED ACCESSIBILITY
EASY CLEANING
BEST PERFORMANCE!

Ergonic® 3 – highlights



**AS EASY TO OPERATE
AND MORE INTUITIVE
THAN EVER BEFORE**

ERGONIC® 3

The new Ergonic® 3 – clear, fast, and safe

- **Continuous operating concept** for all Putzmeister products with the same functions and displays – whether on the radio remote control or the Ergonic Graphic Display (EGD).
- **Intuitive work and quick reactions** thanks to a clear menu structure and intuitively arranged functions.
- **Full overview** of machine status on the radio remote control and EGD (incl. valves, sensors, and LEDs on fuses).
- **Detailed fault management:** Faults are easy to detect and rectify – even without a Putzmeister technician.
- **Multi-level emergency operation** keeps the machine running even in the toughest conditions.



Pumping made smart

If our concrete pumps are the heart of Putzmeister machines, then the Ergonic system is the brain.

As a switching center, the microprocessor-supported control systems regulate the functions of concrete pumps and placing booms.

Always by your side – Ergonic® 3 inside

EPS Ergonic Pump System

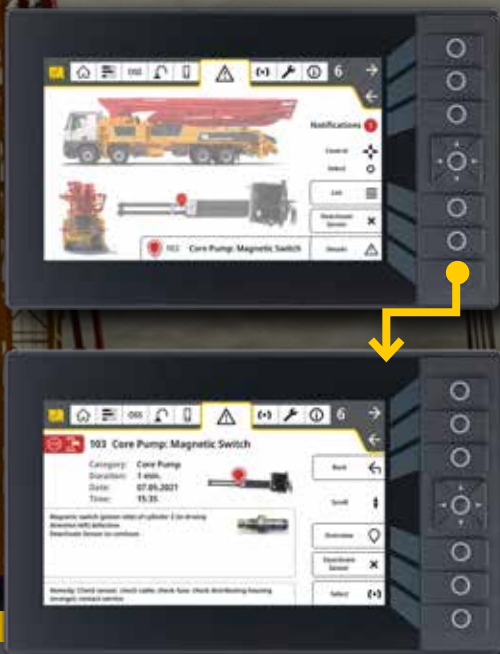
Takes control of the concrete pump for optimized pumping.

EOC Ergonic Output Control

Regulates the optimum motor speed for smooth operation with fuel efficiency and low wear.

Ready for the future

- **A future-oriented solution** with interfaces for future expansions and easy software updates.
- **Service-friendly concept** with services that can be accessed and implemented efficiently.
- **Clearly guided fault management** on the radio remote control and display.



The best of two worlds

Ergonic[®] 3 is the logical evolution of Ergonic[®] 1 and Ergonic[®] 2.

Proven features are maintained, others developed further, and new and future-oriented functions are integrated.

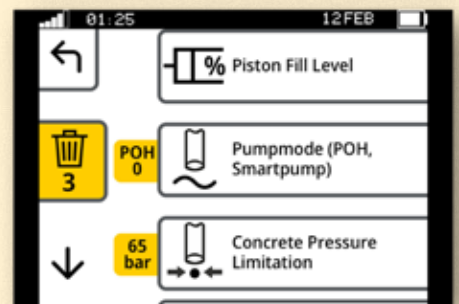
- Experienced Putzmeister customers quickly become familiar with operation, making the switch incredibly easy.
- New customers will need little training or instructions since operation is so intuitive.
- Once learned, a wide variety of machine models can be operated.

Keeping an overview in every situation

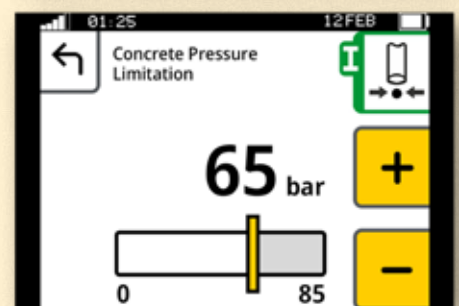
- The static menu bar guides users through the available functions.
- Neatly and intuitively arranged functions.
- Simple menu structure with a maximum of two submenu levels.
- Main menu with all standard functions and additional details in submenus.



Main menu



Submenu level 1



Submenu level 2

SIMPLE OPERATION

Easy and intuitive, for all machine operators.

RELIABLE OPERATION

With a comprehensive fault management.

DETAILED FAULT MANAGEMENT

Comprehensive fault messages with suggested solutions.

You can rely on Putzmeister – service, parts, and training

Everything that sets service apart

Putzmeister provides first class service with swift assistance, meaningful advice, and a reliable supply of genuine Putzmeister parts and accessories in over 120 countries.

Ideally placed to support you

We continuously train our service technicians, provide a close-knit information network, and the latest equipment to consistently strive to meet our customers' needs.

Our employees have all the relevant technical information about your machine at their fingertips, allowing us to provide you with the best possible support for emergencies, repairs, or preventive maintenance.



Our services for cost-effective work

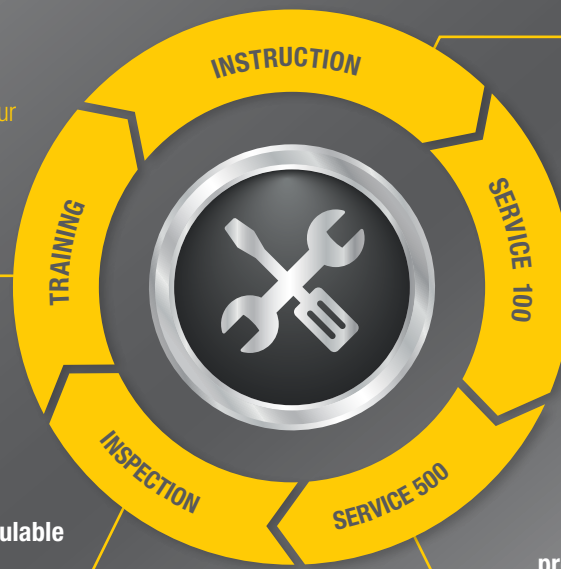
The Putzmeister service support points offer you these services - all provided by our experienced service staff:

Customer training – benefit from expert knowledge

Practice-oriented learning offers many benefits: Master the machine and all of its special features, use the machine to optimum effect, reduce operating costs, and avoid operating errors.

Mandatory machine inspection – calculable costs instead of incalculable failures

Visual inspection and functional check of components for 100% safety. The hydraulic system with cylinders, electrical system, and core pump are also inspected.



Introduction at handover – everything correct from the get-go

You and your team can adapt perfectly to all features and innovations.

100 hours of customer service – avoid potential sources of error

Receive a status report on your concrete pump per the Putzmeister service plan.

500 hours of customer service – protect your investment, retain your value

Our technical customer service team is the number one choice for checking the safety and wear of your machine.



Putzmeister Academy - Service Schools

We want to make sure you get the most from your Putzmeister equipment. To maximize the use and profitability of your investment, take advantage of the regular training seminars at our Wisconsin headquarters.

Service Schools cover maintenance, operation, and inspection of boom pumps, Teelbelts, and Thom-Katts. They include hands-on training, problem-solving exercises, hands-on presentations, and safety training.



Genuine parts for maximum availability

We use only genuine Putzmeister parts in our workshops to guarantee consistent quality. You can be sure that your machine meets the tough requirements with maximum performance and availability.

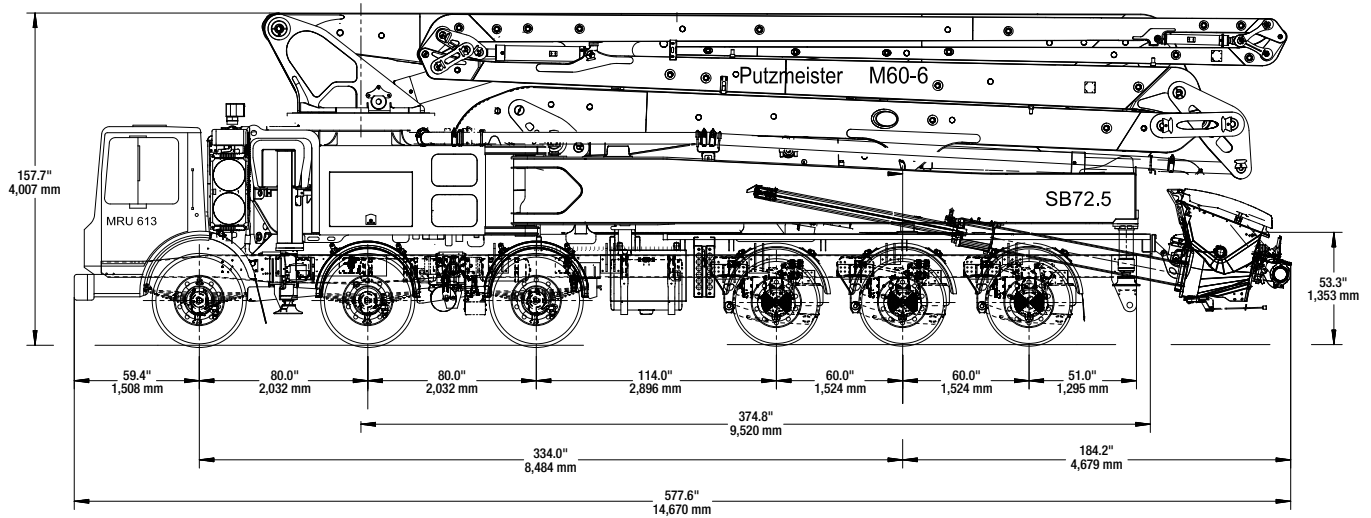
- Immediate availability worldwide through our extensive dealer network
- Longest possible service life and maximum reliability
- Minimal maintenance and repair work thanks to high-quality materials and tested quality
- Quick and easy replacement with precise fitting and no variations in quality
- Safety for your customers, your personnel, and your investment

Product and training information — whenever, wherever

We consistently provide the most up-to-date product and training information through our YouTube channel. From the comfort of your own home to on the jobsite, you have access to hundreds of videos that showcase the latest and greatest Putzmeister products, how-to videos, demonstrations, and much more.



60Z-Meter Truck-Mounted Specifications

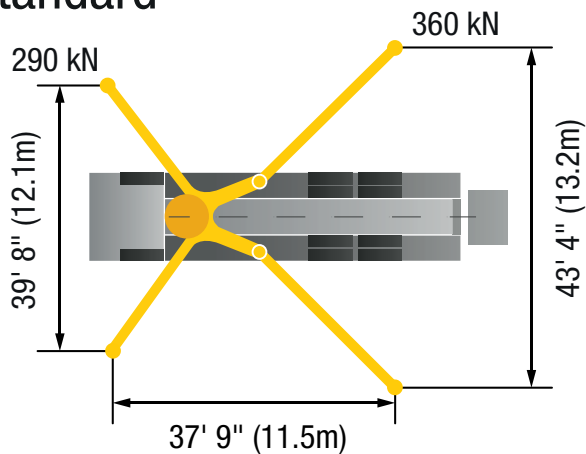


Machine Dimensions	Imperial	Metric
Length	47' 11"	14.60 m
Width	8' 2"	2.50 m
Height	13' 1"	4.0 m
Outrigger spread L - R — front hydraulically extended out & down	39' 8"	12.10 m
Outrigger spread L - R — rear hydraulically swing out & extend down	43' 4"	13.20 m
Wheelbase	334"	8,484 mm

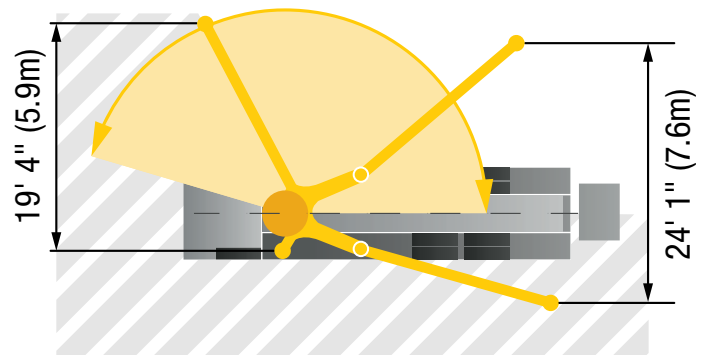
Weight	Imperial	Metric
Front axle weight	52,488 lbs	23,809 kg
Rear axle weight	54,133 lbs	24,555 kg
Approximate total weight	106,621 lbs	48,363 kg

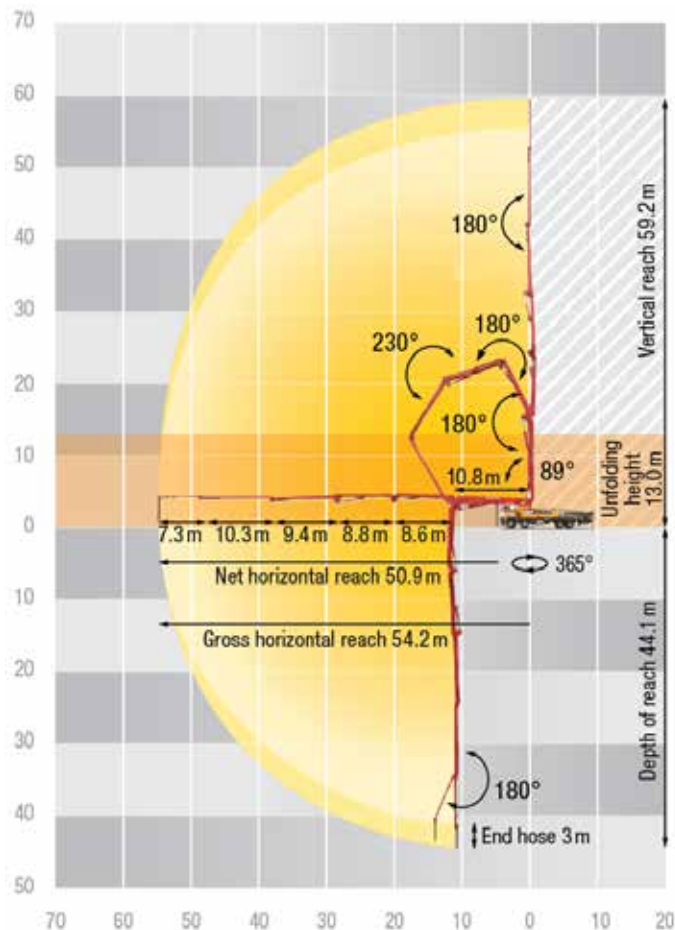
Based on Model MACK MRU 613 with .16H pump cell. Dimensions will vary with different truck makes, models, and specifications. Weights are approximate and include pump, boom, truck, driver and full fuel tank. Varies with options selected.

Standard



OSS





Boom | RZR Folding

	Imperial	Metric
Height & Reach		
Vertical reach	194' 3"	59.20 m
Horizontal reach	177' 10"	54.20 m
Reach from front of truck*	167' 0"	50.90 m
Reach depth	144' 8"	44.10 m
Unfolding height	42' 8"	13.00 m

6-Section Boom

1st section articulation	89°	
2nd section articulation	180°	
3rd section articulation	180°	
4th section articulation	230°	
5th section articulation	180°	
6th section articulation	180°	

1st section length	35' 5"	10.80 m
2nd section length	28' 3"	8.60 m
3rd section length	28' 10"	8.80 m
4th section length	30' 10"	9.40 m
5th section length	33' 10"	10.30 m
6th section length	23' 11"	7.30 m

General Specifications

	Imperial	Metric
Pipeline Size (ID) metric ends	5"	125 mm
Rotation	365°	
End hose — length	10' 0"	3.00 m
End hose — diameter	5"	125 mm

Pump	60RZR.17 iLS		60RZR.19 iLS	
	Imperial	Metric	Imperial	Metric
Output — rod side	—	—	—	—
— piston side	222 yd ³ /hr	170 m ³ /hr	249 yd ³ /hr	190 m ³ /hr
Pressure — rod side	—	—	—	—
— piston side	1,233 psi	85 bar	1,233 psi	85 bar
Material cylinder diameter	10"	250 mm	10"	250 mm
Stroke length	83"	2,100 mm	83"	2,100 mm
Max. strokes per minute — rod side	—	—	—	—
— piston side	—	31	—	21
Volume control	—	0-Full	—	0-Full
Vibrator	—	Standard	—	Standard
Hard-chromed material cylinders	—	Standard	—	Standard
Hydraulic system	—	Free Flow	—	Free Flow
Hydraulic system pressure	5,075 psi	350 bar	5,075 psi	350 bar
Differential cylinder diameter	5.5"	140 mm	4.5"	115 mm
Rod diameter	3.1"	80 mm	3.1"	80 mm
Maximum size aggregate	2.5"	63 mm	2.5"	63 mm
Water tank — pedestal	185 gal	700 L	185 gal	700 L

Maximum theoretical values listed. * Applies to units mounted on PMA stock truck — MACK MRU 613 • Standard delivery line system rated at max line pressure of 1,233 psi (85 bar)

Here for you every step of the way

Our Putzmeister Promise

We build machines that increase your production and give you a competitive edge – and these machines are continuously developed. Innovative technologies and durable quality need to adapt to your ever-changing daily challenges. Our products stand for optimum output with low fuel consumption, wear, and costs.

Our customers will always have a thinking, intelligent partner in all their undertakings; a partner that will deliver to their exact requirements regardless of the complexity of the task or the remoteness of the scale. With knowledge and understanding backed by experience, we approach every task with renewed enthusiasm – be it a small scale construction or a mass assignment, tight deadlines, or unique concreting and manufacturing needs.

Your Putzmeister Team



Authorized Distributor © Putzmeister America, Inc. 2023. CT 4951-2 US. Photos and drawings are for illustrative purposes only.



Putzmeister

Putzmeister America, Inc.
1733 90th Street
Sturtevant, WI 53177 USA
Putzmeister.com

Phone (262) 886-3200
Toll-free (800) 884-7210
Fax (262) 884-6338
pmr@putzmeister.com