

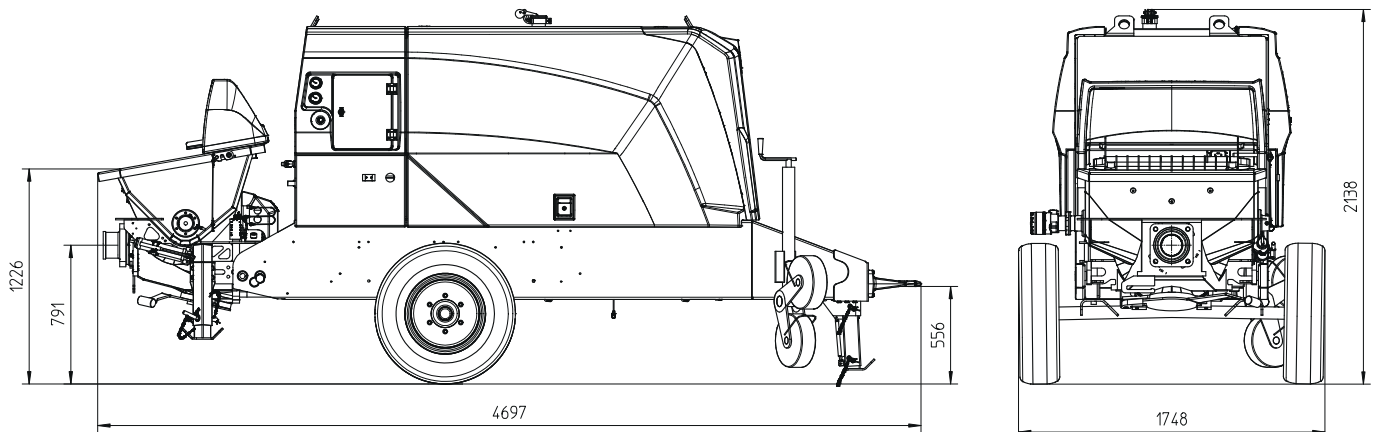


**Putzmeister**

# Stationary concrete pump

## BSA 1005 D5 BSA 1005 E

Output up to 52 m<sup>3</sup>/h  
Delivery pressure up to 70 bar



Dimensions and weights depend on equipment. Subject to technical modifications and errors.

### Technical data

| Model                |                   | BSA 1005 D5  | BSA 1005 E |
|----------------------|-------------------|--------------|------------|
| Material number      |                   | 102682.000   | 102683.000 |
| Output               | m <sup>3</sup> /h | 52           | 47         |
| Delivery pressure    | bar               | 70           |            |
| Delivery cylinder    | Ø mm              | 180          |            |
| Delivery cyl. stroke | mm                | 1000         |            |
| Strokes / minute     |                   | 33           | 31         |
| Engine / motor power | kW                | 55.4         | 45         |
| Hopper               |                   | RS 488       |            |
| Capacity             | l                 | approx. 300  |            |
| Filling height       | m                 | 1.23         |            |
| Transfer tube        |                   | S 1812       |            |
| Line connection      | mm                | SK 125       |            |
| Pressure connection  | "                 | 5.5          |            |
| Control system       |                   | Ergonic 3 PS |            |
| Diesel tank          | l                 | 120          | –          |
| Weight               | kg                | 2900         | 3000       |

### Serial equipment

|   |  |
|---|--|
| Agitator safety switch off  | Grill 60 mm  |
| Cable remote control 10 m   | Operating manuals (1× paper, 1× CD-ROM) spare part list        |
| Central lubrication on hopper with grease gun                         | Output adjustment, electrical                                  |
| Chassis F8  | Outriggers 3× mech.  |
| Cleaning accessories  | Speed drawdown automatically on pump stop (Diesel driven only) |
| Coloring:<br>Pump, frame, roof anthracite-grey<br>Doors chrome yellow | Splash guard   |
| Concrete hopper with agitator   | Support wheel  |
| Drive diesel, Deutz 55.4 kW, Stage 5 (1005 D5)                        | Tool set incl. standard equipment                              |
| Drive electric, 45 kW, iE03 (1005 E)                                  | Tow coupler, DIN eye   |
| Electronic error management   |  |
| Ergonic Graphic Display   |  |
| Flushing water pump 50 l/min 20 bar                                   |  |

All data maximum theoretical

See quotation for exact serial delivery scope.  
Comprehensive range of options available on request.