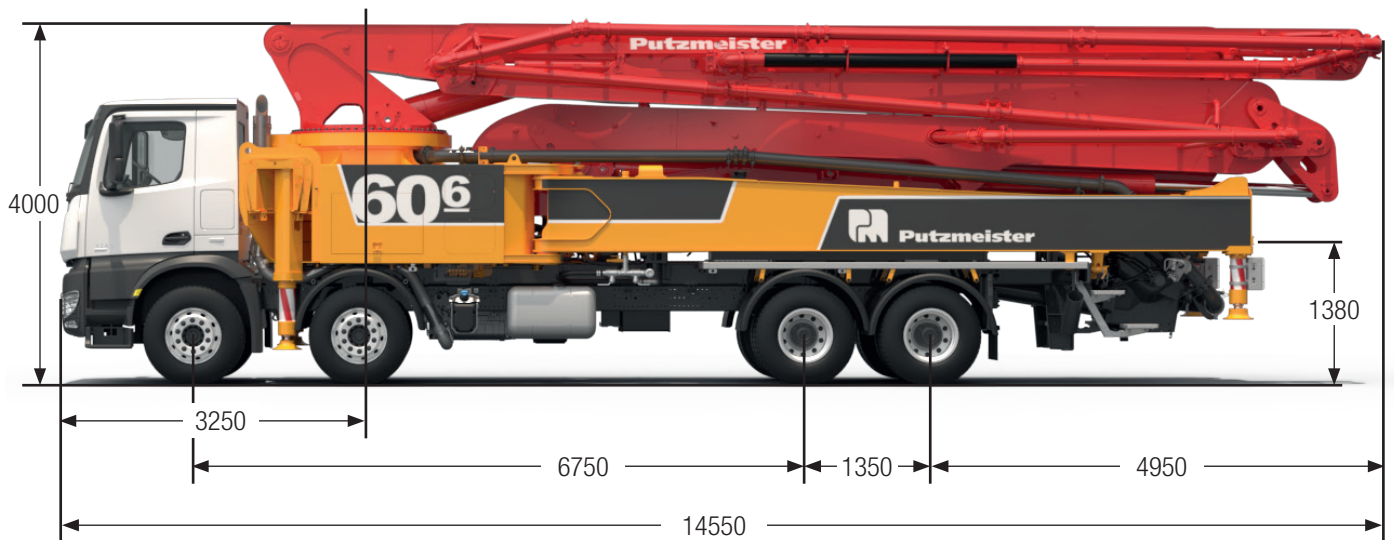
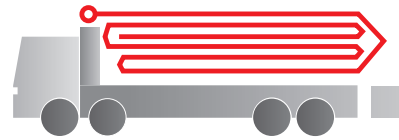


Truck-mounted concrete pump

BSF 60-6.16 H

.16 H LS

Output up to 160 m³/h
 Delivery pressure up to 130 bar*



Note: Standard version. Dimensions and weights depend on truck, pump model and equipment.
 Dimensions in mm, MB-Arocs 4545K, Euro 3.
 For illustration only.

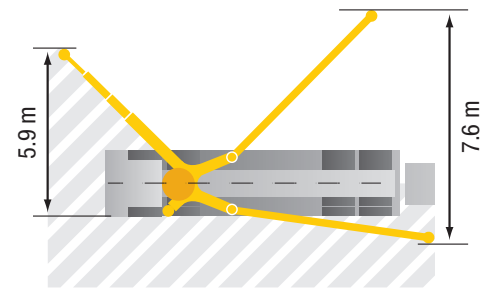
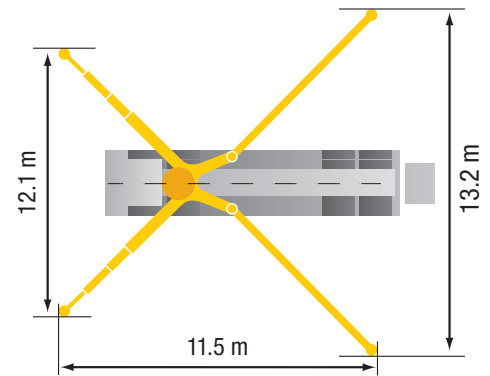
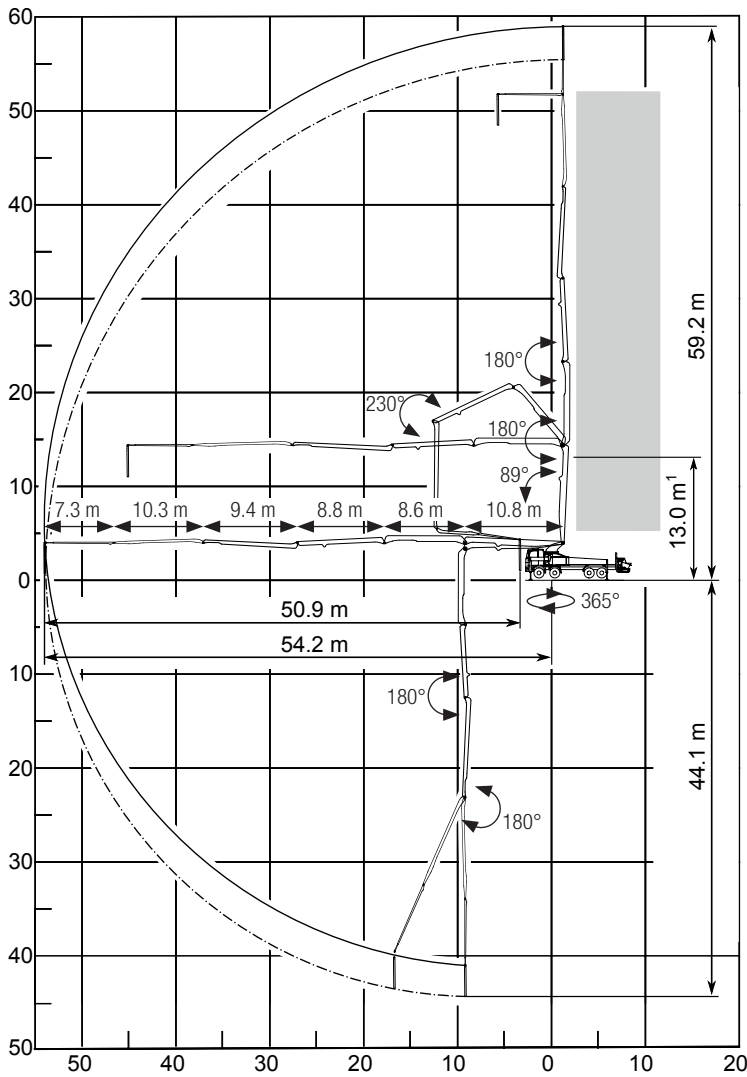
Technical data

Boom M 60-6		
Sections		6
Reach height	m	59.2
Horizontal reach, gross	m	54.2
Reach depth max.	m	44.1
Unfolding height	m	13.0
End hose length	m	3
Folding system		RZR
Delivery line		DN 125

Pump		BSF	.16 H	.16 H LS
Rod side	Output	m ³ /h	160	-
	Delivery pressure	bar	85	-
	Strokes	1/min.	31	-
Piston side	Output	m ³ /h	108	160
	Delivery pressure	bar	130*	85
	Strokes	1/min.	21	26
	Delivery cylinder	Ø mm	230	250
	Stroke	mm	2100	2100

*) Delivery line boom max. 85 bar.
 All data maximum theoretical.

Reach information diagram, Support



Dimensions can differ depending on configuration.

Serial delivery scope

Agitator and water pump radio remote/on site controlled	Ergonic Graphic Display (EGD) with machine fault management	Spectacle wear plate DURO 22
Agitator safety switch off, RFID with startup protection	Ergonic Pump System (EPS) incl. Ergonic Output Control (EOC)	Spray hose 10 m incl. bracket
Box for sponge balls	Flushing water pump 160 l/min 25 bar	Steps, first step foldable
Cardan shaft maintenance free	Hinged elbow with cleaning port	S-transfer tube switchover fast/slow
Central lubrication hopper, electrically	Lighting modul control box LED	Support plates (4 x) in magazine (2 x) open
Chassis horn via remote control on hopper	Operating manuals 2 x (1 x paper, 1 x CD-ROM) spare part list	Swivel support plates
Concrete hopper RS 909 with agitator	OSS one side support (assistance device) not EEA countries	Tool set incl. standard equipment
Connections for hydraulic emergency supply	Platform non-skid	Towing eye
C-pipe connection for filling water tank	Pump on/off dependent on speed	Wash-out port lid with slide pin
Delivery cylinder chrome-plated	Radio remote control proportional with display	Water supply, hopper (1/2')
Delivery line (2-layer) PM2520, arm assembly	Remote control without display with 40 m cable	Water tank 800 l
Delivery piston 'compact' (16 H)	Rubber collar on concrete hopper	Working light for illumination of hopper, detachable
Diagnose interface		
End hose 3,0 m DN 125, 5,5"		

See quotation for exact serial delivery scope.
Comprehensive range of options available on request.