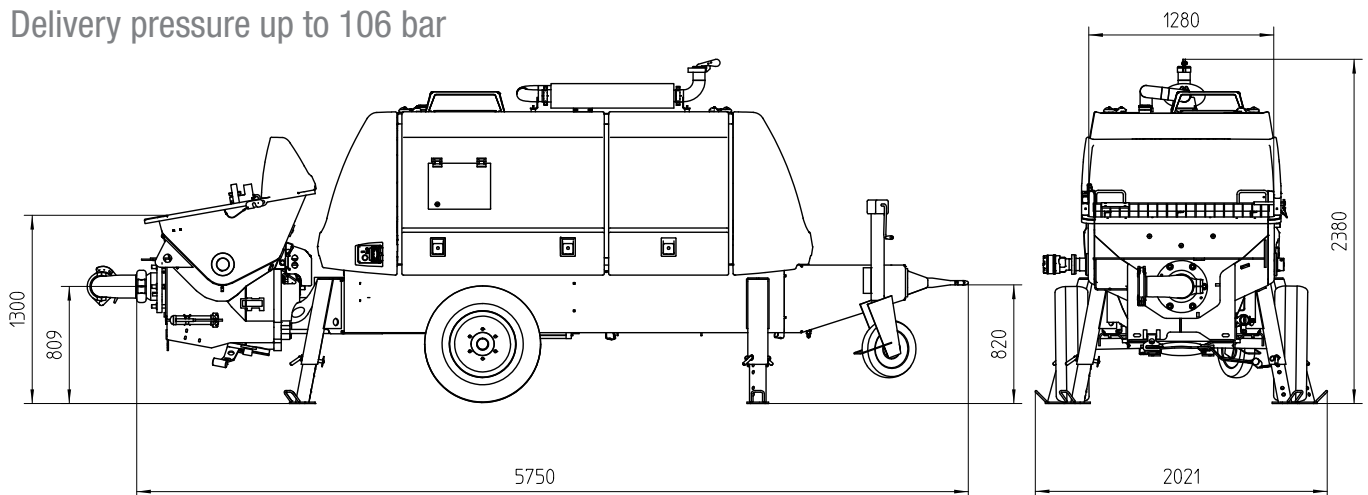


Stationary concrete pump

BSA 1409 D

Output up to 97 m³/h
Delivery pressure up to 106 bar



Note: Standard version. Dimensions and weights depend on equipment. Subject to technical modifications and errors.

Technical data

Model		BSA 1409 D
Material number		102348.000
Output	m ³ /h	97 / 67*
Delivery pressure	bar	71 / 106*
Delivery cylinder	Ø mm	200
Delivery cyl. stroke	mm	1400
Strokes / minute		37 / 25*
Engine power	kW	140
Hopper		RS 909
Capacity	l	approx. 600
Filling height	m	1.3
Transfer tube		S 2015 D
Line connection	mm	SK 125
Pressure connection	"	5.5
Control system		EPS FFH
Weight	kg	4500

* Values for hydraulic fluid being fed to piston-side
All data maximum theoretical

Serial equipment

Agitator safety switch off	Flushing water pump
Cable remote control 10 m	50 l/min 20 bar
Central lubrication on hopper with hand lever press	Gate valve connection
Cleaning accessories	Grill 70 mm
Coloring: Pump, frame, roof, tank and hood anthracite-grey Cover chrome yellow	Operating manuals (1× paper, 1× CD-ROM) spare part list
Concrete hopper with agitator	Outriggers 4× mech.
Concrete output adjust	Pump flow meter
Concrete pressure adjust	Reduction bend 90°; SK 150 → SK 125
Coupling ring (DIN)	Speed drawdown automatically on pump stop
Drive diesel, Deutz 140 kW	Splash guard
Electronic error management	Support wheel
Ergonic Graphic Display (EGD)	Tool set incl. standard equipment
	Trailer F8, travelling in site

See quotation for exact serial delivery scope.
Comprehensive range of options available on request.