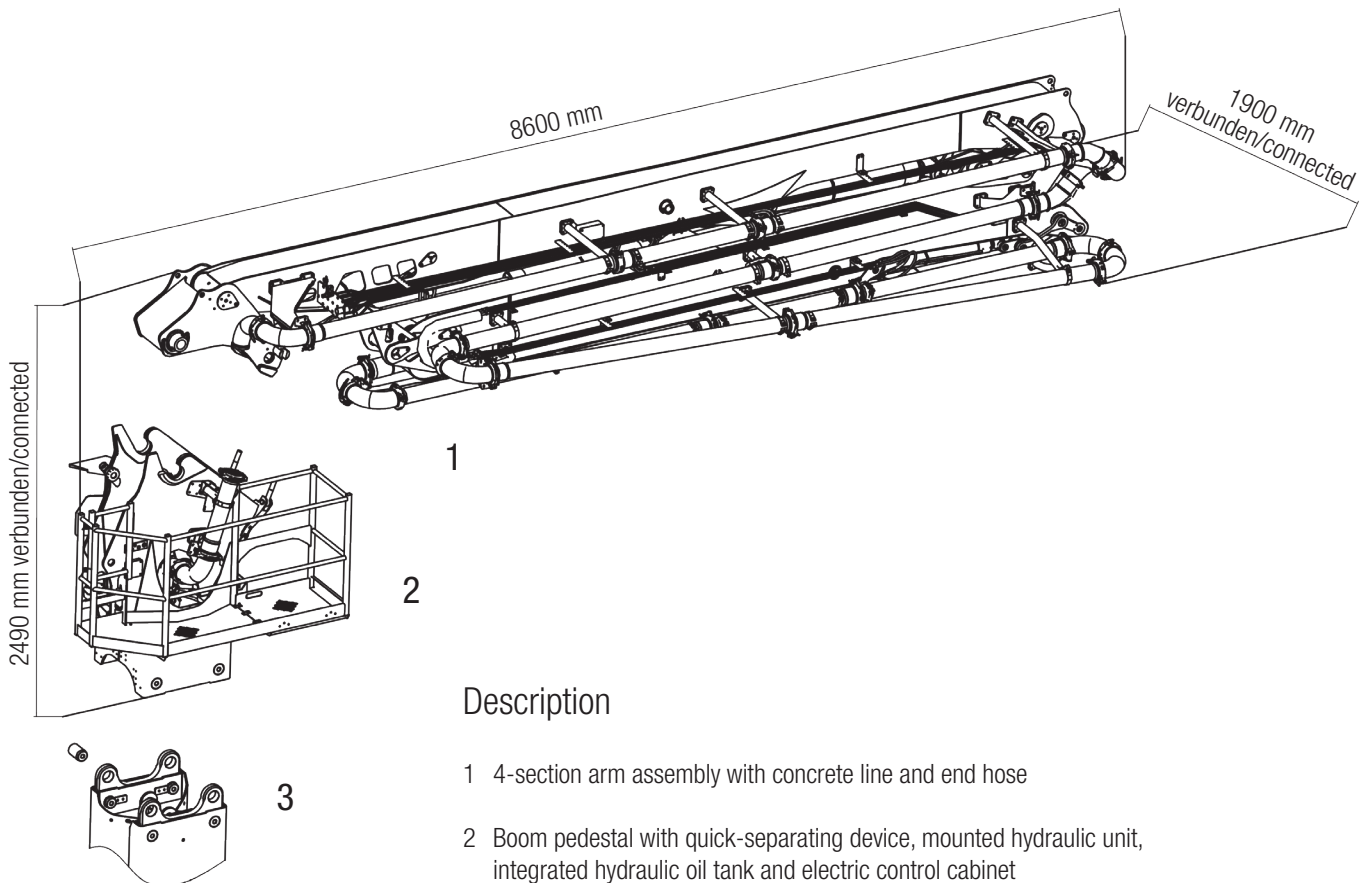


# Stationary placing boom

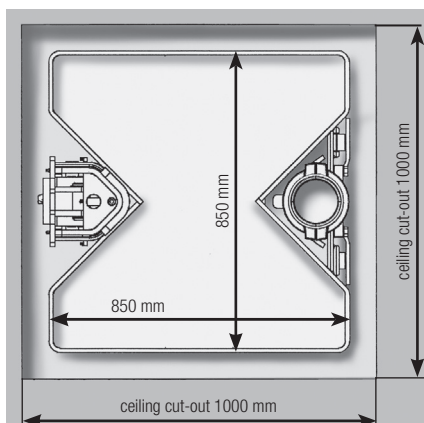
## MXR 24-4



### Description

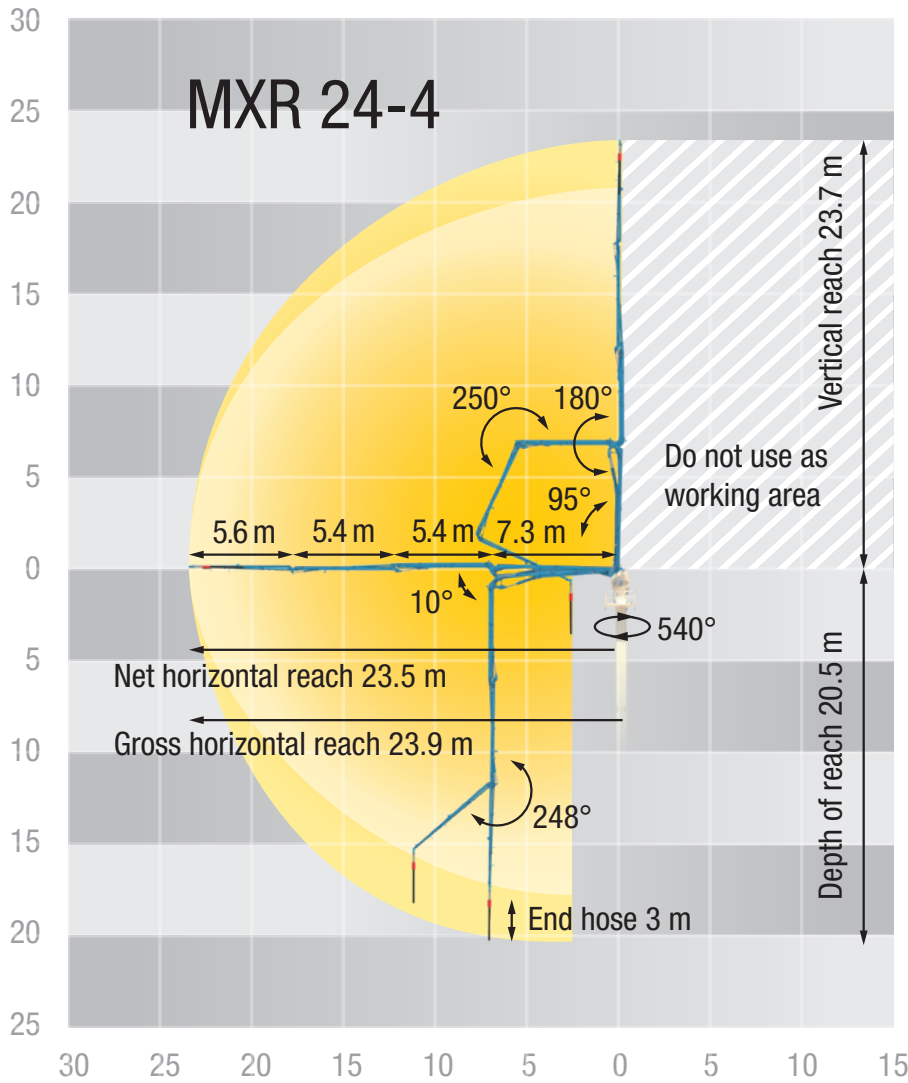
- 1 4-section arm assembly with concrete line and end hose
- 2 Boom pedestal with quick-separating device, mounted hydraulic unit, integrated hydraulic oil tank and electric control cabinet
- 3 Putzmeister column system RS 850
- 4 Cross section Putzmeister column system RS 850 with suitable cut-out in the ceiling

4



Note: Standard version. Dimensions and weights depend on equipment.

## Reach information diagram



## Technical data

| Stationary placing boom MXR 24-4 |          |   |        |
|----------------------------------|----------|---|--------|
| Sections                         |          |   | 4      |
| Reach height                     | m        |   | 23.7   |
| Horizontal reach*                | m        |   | 23.9   |
| Reach depth max.                 | m        |   | 20.5   |
| Delivery line                    |          |   | DN 125 |
| End hose length                  | m        |   | 3      |
| Max. height w/o counterweight**  | m        |   | 24.5   |
| Slewing range                    | °        |   | 540    |
| Weight                           | boom     | t | 3.5    |
|                                  | pedestal | t | 2.5    |

\* center of slewing gear till end of boom  
 \*\* depending on wind zone classification

All data max. theor.  
 Dimensions can differ depending on configuration.

## Serial delivery scope

|   |   |
|---|---|
| Arm assembly MXR 24-4 incl. transport frame | Operating manuals, spare part list            |
| Boom pedestal RS 850 incl. transport frame  | Painting: arm assembly RAL 5012 light blue    |
| Delivery line DN 125 (1-layer)              | Painting: base structure RAL 1015 light ivory |
| El.-hydraulic drive 15 kW/400 V/50 Hz       | Radio remote control                          |
| Electric motor with soft start              | Working platform incl. ladder                 |
| End hose 3 m DN 125 5.5"                    |   |

See quotation for exact serial delivery scope.  
 Comprehensive range of options available on request.