

Putzmeister TELEBELT ADVANTAGE



Placement Versatility

A Telebelt offers a quick way to easily clear obstacles and place material exactly where you want it without the need for all-wheel drive mixer trucks, skid-steer loaders or other equipment. Ideal for maneuvering around a variety of job sites including mat pours, backfilling, tilt-up projects, bridge decks and slab work.



A Clean, Efficient & Lower Cost Site

Telebelts do not require priming and all material can be run off the belts eliminating waste. A highly efficient spring-tensioned carbide scraper system keeps the Telebelt and job sites clean.



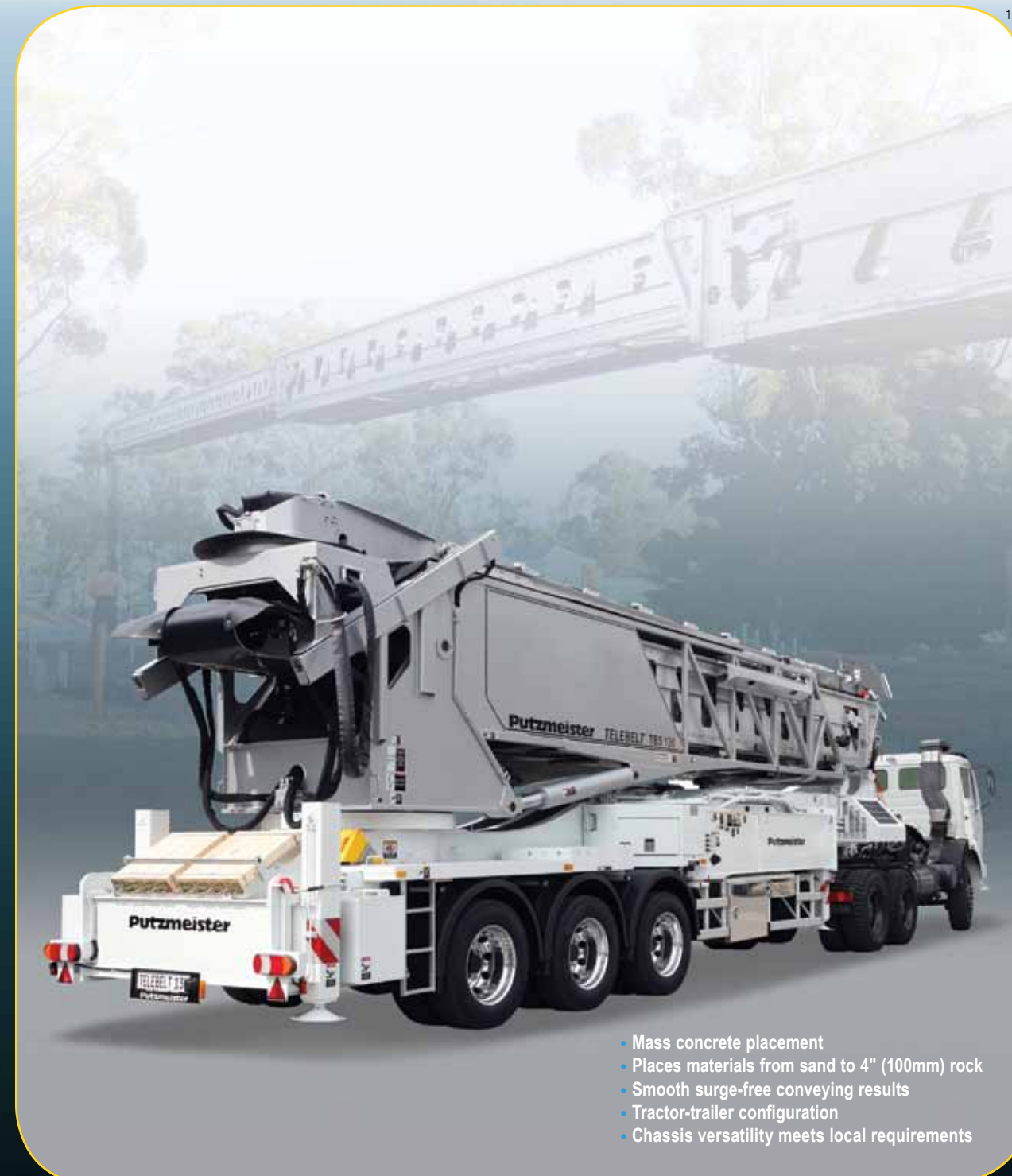
Setup Convenience

An integral part of the feed conveyor, the folding hopper makes setup a breeze. Side panels fold onto the feed conveyor and end panels connect with linchpins. The belt can then be easily fed with a ready mix truck from three sides. Optional hoppers are also available for use with a skid-steer loader, front-end loader or coal chute.

Telebelt® TBS 130

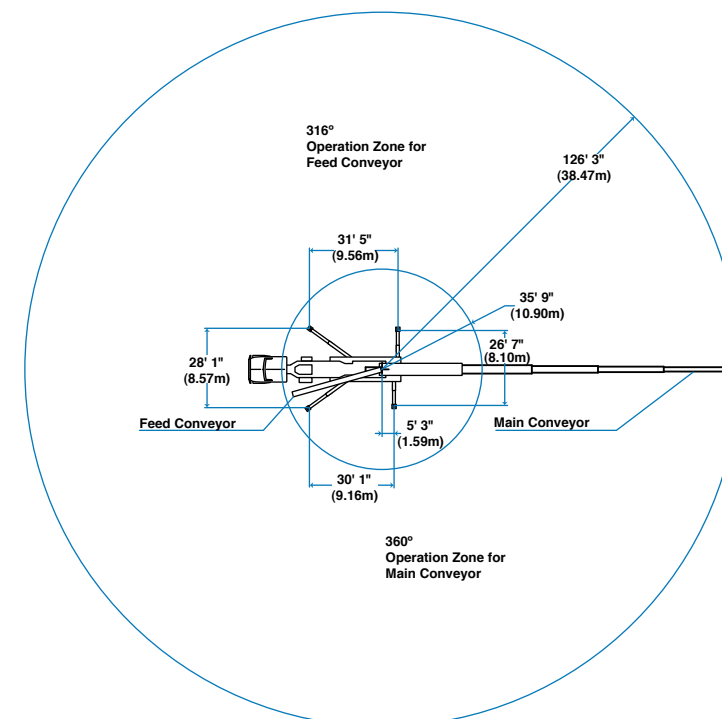
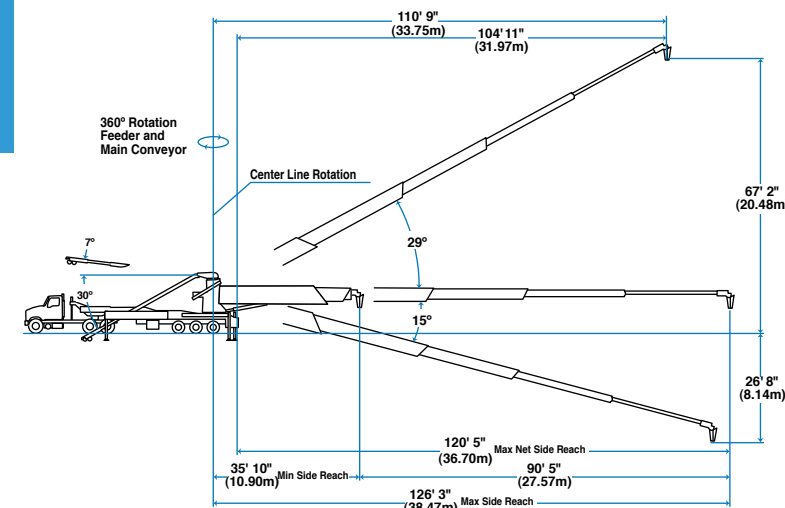
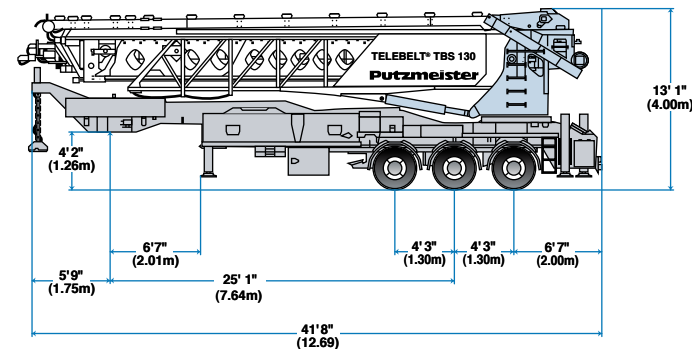
Semi-Trailer Telescopic Belt Conveyor

Putzmeister



- Mass concrete placement
- Places materials from sand to 4" (100mm) rock
- Smooth surge-free conveying results
- Tractor-trailer configuration
- Chassis versatility meets local requirements

TBS 130
TBS 130



Photos and drawings are for illustrative purposes only.

Putzmeister

Putzmeister America, Inc. Telephone (262) 886-3200
1733 90th Street (800) 884-7210
Sturtevant, WI 53177 USA Facsimile (262) 884-6338
Telebelt@putzam.com
www.PutzmeisterAmerica.com



Authorized Distributor

Conveyors

| | | |
|-------------------------------|---------------------------|---------------------------|
| Conveyor horizontal reach — | | |
| Maximum at 0° | 126' 3" | (38.47m) |
| Maximum at 29° | 110' 9" | (33.74m) |
| Conveyor belt width | 18" | (457mm) |
| Feed conveyor length | 38' | (11.60m) |
| Feed conveyor belt width | 18" | (457mm) |
| Trunk/end hose length | 15' | (4.57m) |
| Discharge height from grade — | | |
| Maximum at 29° | 67' 2" | (20.48m) |
| Maximum at -15° | -26' 8" | (-8.14m) |
| Rated capacity at 0° | 6 yd ³ /min | (4.60m ³ /min) |
| main & feed conveyors | 360 yd ³ /hr | (275m ³ /hr) |
| Rated capacity up to 20° | 3.80 yd ³ /min | (2.90m ³ /min) |
| main & feed conveyors | 230 yd ³ /hr | (175m ³ /hr) |
| Rotation – hydraulic | 360° | |

Outriggers

| | | |
|---|----------|----------|
| Net reach beyond outriggers — | | |
| at 0° | 120' 5" | (36.70m) |
| at 29° | 104' 11" | (31.97m) |
| Outrigger spread L - R — front | 28' 1" | (8.56m) |
| hydraulically swing out and extend down | | |
| Outrigger spread L - R — rear | 26' 6" | (8.10m) |
| hydraulically telescope out and extend down | | |

Engine Specifications – Self-Contained

| | |
|--------------|----------------|
| Model | Deutz |
| EU stage/EPA | 3A/Tier 3 |
| Cylinder | 6 |
| Fuel | Diesel |
| Displacement | 6.6 liter |
| Power | 208 HP (155kW) |

Transport Axle Weights*

| | |
|-----------------|-----------------------|
| Steer 1-axle | 11,219 lbs (5,089kg) |
| Drive 2-axles | 24,885 lbs (11,288kg) |
| Trailer 3-axles | 49,833 lbs (22,605kg) |
| Total (approx.) | 85,937 lbs (38,982kg) |

Maximum theoretical values listed.
* Truck dimensions will vary with different truck makes, models and specifications. Weights are approximate and include conveyor truck, full hydraulic oil, fuel, water and driver. All specifications apply to units mounted on Mack CXL613 Pinnacle.

Putzmeister TELEBELT ADVANTAGE



Semi-Trailer Versatility

Contractors around the world can specify the type of chassis and the trailer axle configuration, either two or three axles, to meet their local weight and jobsite requirements. The Telebelt trailer can be driven with a new or used chassis, or one already part of a fleet.



Engine Flexibility

With the TBS 130, a self-contained engine provides all the power needed for material placement. This results in lower operation costs and reduced fuel consumption by matching the engine output to the needs of the Telebelt operation.



Low Clearance Projects

With extremely low unfolding heights and the ability to be moved rapidly, Putzmeister Telebelts can be set up and operated on jobs with height restrictions such as warehouse slabs. Material can be conveyed long distances in an enclosed structure, under bridges and into limited access structures.

Telebelt® TBS 130

Semi-Trailer Telescopic Belt Conveyor Standard Features



Boom

- 126' 6" (38.56m) horizontal reach
- Low 15' 4" (4.70m) unfolding height
- Five-section telescopic boom
- Steel/aluminum base with four telescopic high strength aluminum sections
- Maintenance free sealed roller bearings
- Quick telescoping feature
- 360° hydraulic rotation

Main Conveyor

- 18" (457mm) 3-ply nylon cord vulcanized spliced belt
- Maximum rated capacity of 6 cubic yards a min (4.60m³/min)
- Infinitely variable belt speed control from 0 to 100%
- Spring-tensioned carbide scraper system
- Active independent control of the feed and main conveyor systems

Control & Operation

- Main conveyor functions controlled by Modular Boom Control (MBC) system
- Single-section maintenance without removing entire valve assembly
- Single joystick controls all boom and feeder movement
- Ergonomic and lightweight standard proportional radio remote control
- Independent belt speed control for main and feed conveyors
- 100' (30m) proportional cable remote
- Manual control backup for all functions

Feeder Belt

- 38' (11.60m) aluminum independent hydraulic feed conveyor
- 360° hydraulic rotation allowing material to be loaded from any position desired
- 18" (457mm) belt can be fed by a ready mix truck, dump truck, skid-steer loader or front-end loader
- UHMW polyethylene integrated folding feeder hopper handles the toughest mixes
- Spring-tensioned carbide scraper system

Trunk/End Hose

- Standard 8" (200mm) and 12" (305mm) reducers – each with 15' (4.57m) end hoses and chain binder

Material Handling

- Ideal for mass concrete placement
- Handles the harshest concrete mix designs at any slump
- No special mix requirements
- Places any type of flowable material up to 4" (100mm) aggregate

Power

- Self-contained engine for material placement
- Powered by Deutz EPA3A/Tier 3 208 hp (155kW) diesel engine.

Outriggers

- Front outriggers hydraulically swing out and extend down
- Rear outriggers hydraulically extend out and down
- Vertical outrigger cylinders level the Telebelt
- Quick and easy setup in congested areas
- Sets up on solid or rough terrain

Clean Out

- Requires only water to clean
- High pressure 2,500 psi (173 bar) hydraulically-driven pressure washer system
- Large capacity 170 gallon (644L) water tank

Additional Standard Features

- Ribbed deck
- Large side-mounted aluminum toolbox
- High quality paint finish
- Operators manuals and ship-away kit

Available Options

- Rock hopper
- Front-end loader hopper
- Low profile hopper
- Side loading channels
- Custom paint schemes

Consult factory for options not listed.



Maneuverable 5th Wheel Configuration

The Telebelt TBS 130's semi-trailer configuration offers multiple on-site advantages including, greater mobility, a tighter turning radius and reduced axle loads.

Additionally, since the semi-trailer chassis can be removed the machine footprint is reduced, freeing up space for other job site tasks.

Putzmeister TELEBELT VERSATILITY



Telebelts Meet your Material Placement Needs

The world's only trailer-mounted telescopic belt conveyor, the Putzmeister Telebelt is a modern marvel. Able to place countless materials, a Telebelt allows you to efficiently handle multiple tasks on a single job site and countless applications in various setups. The machine saves time and labor with quick setup and cleanup, high volumes and precise material placement.

Concrete is just one of many materials that can be efficiently and economically placed with a Telebelt. These machines keep ready mix trucks safely at the curb and help complete pours faster. Conveying also allows for reduced cement and water content which yields a stronger and more cost effective mix.

From commercial and residential to industrial, civil and environmental, the placing possibilities with a Telebelt are limitless. It is the ideal machine to handle special materials required for unique environmental applications that are unsuitable for other equipment.

Need to place gravel and concrete on the same site in the same day? Telebelts can perform multiple tasks from a single location. Have large volumes of a single material to convey in a short amount of time?

Telebelts are ideal for many jobs like flowable fill, land fill lining and wind farm construction. These are just a few applications where a Telebelt is an invaluable asset.

Conveying Versatility – Multiple Materials in Countless Applications

