



Putzmeister

Stationary concrete pump

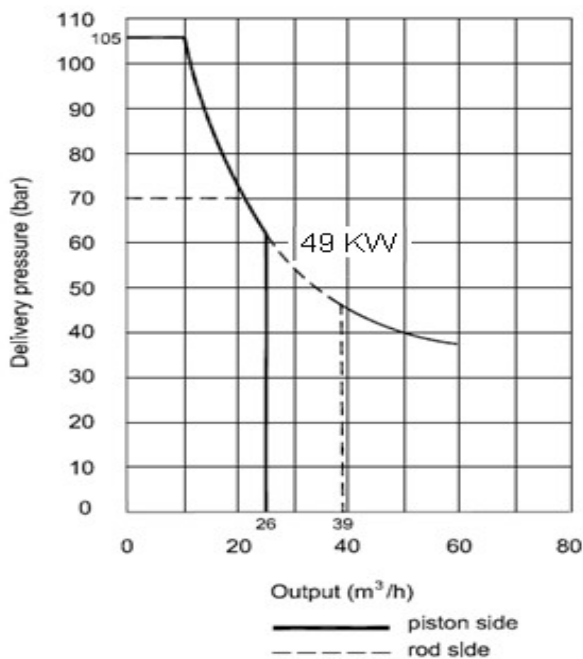
BSA 1404 H D

Output up to 39 m³/h

Delivery pressure up to 105 bar



Performance Diagram

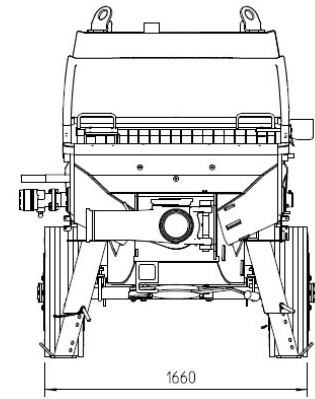
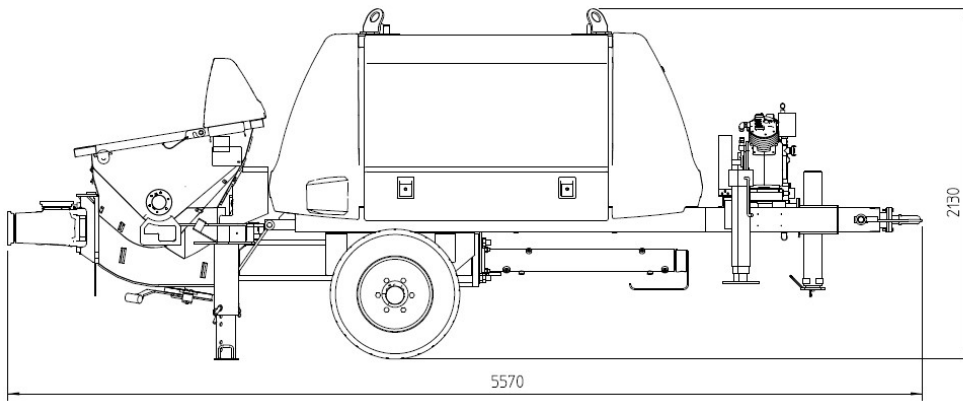


All data maximum theoretical

Technical data for concrete pump

Model		BSA 1404 H D
Output	m ³ /h	39/26*
Delivery pressure	bar	70/105*
Delivery cylinder diameter	mm	180
Delivery cyl. stroke	mm	1000
Strokes / minute		26/17*
Engine power	kW	49
Hopper		RS 905A
Capacity	l	aprox. 600
Filling height	m	1.3
Transfer tube		S 2018 PN
Flap straight diameter	mm	150
Control system		OPS
Weight	Kg	3500

* Values for hydraulic fluid being fed to piston side



Scope of supply

Drive diesel engine, 49kW, Kirloskar model - HA494, Air cooled.

Square outriggers 3 Nos - (2 x mech. 15° slanting and 1 x straight)

Hopper with agitator

Operating manuals and spare part lists 2x

Trailer F 8, travelling on site

Central lubrication strip hopper

Grille 70 mm

Splash guard

Mechanical jack with tow bar

Cast wear parts, highly wear resistant

Chrome delivery cylinder

Single agitator motor

Electronic control with full color display and information.

Reducer kit, consisting of -reducer 6" - 5 1/2" - 1200mm including 6" coupling and seal

RSA- Grill Safety



Optional

Flushing water pump, 22 bar, easy for operation

SBU

Connection kit for connecting alternative pipelines, consisting of:

- PM weld on ring 5 1/2 "
- PM clamp coupling 5 1/2 "
- PM seal 5 1/2 "

Compressor 7.5 HP, Max. working pressure 12bar, Anest Iwata, BLT75-14S1

Drive diesel engine, Deutz, F04L0912 , 49kW, Air cooled

Remote control

Double agitator motor

See quotation for exact serial delivery scope .
Comprehensive range of options available on request .