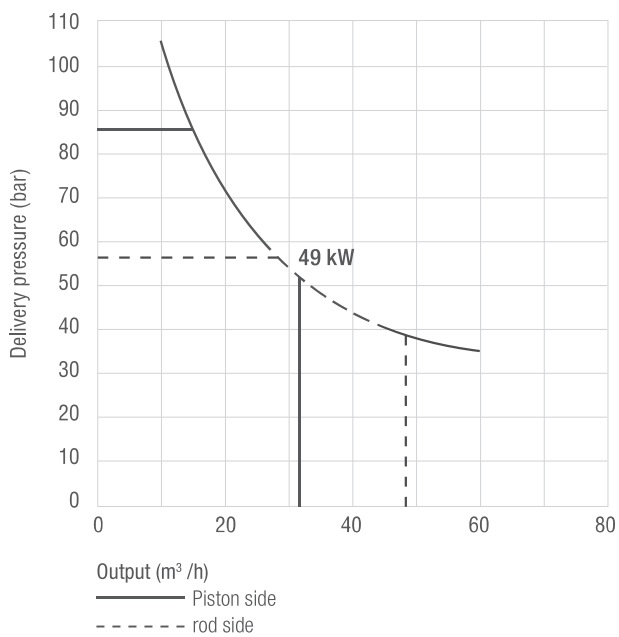




BSA 1405 D RMC

Output up to 48 m³/h | Delivery pressure up to 85 bar

Performance Diagram

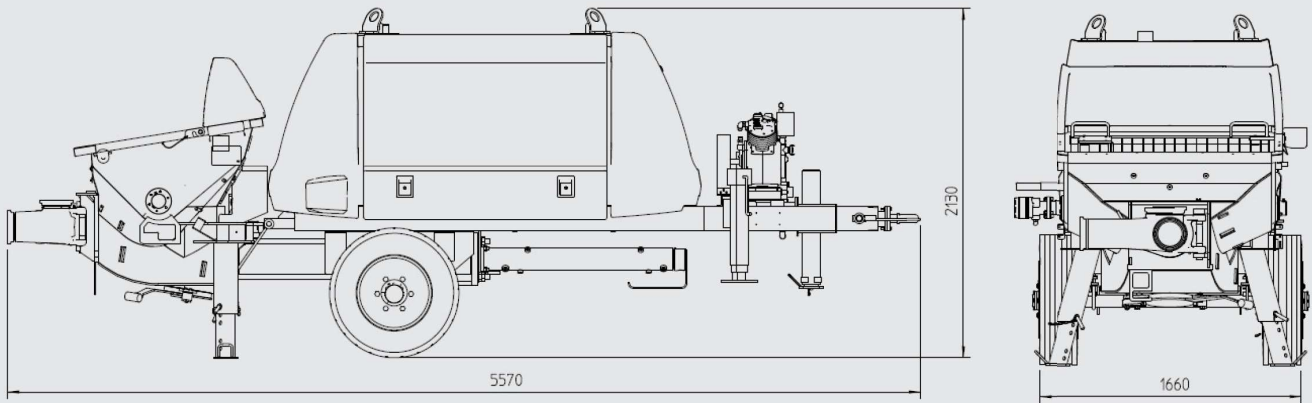


All data maximum theoretical

Technical data for concrete pump

Model	BSA 1405 D RMC	
Output	m ³ /h	48/32*
Delivery pressure	bar	57/85*
Delivery cylinder diameter	mm	200
Delivery cylinder stroke	mm	1000
Strokes / minute		26/17*
Engine power	kW	49
Hopper		RS 905A
Capacity	L	approx. 600
Filling height	m	1.3
Transfer tube		S 2018 PN
Flap straight diameter	mm	150
Control system		OPS - RMC
Weight	Kg	3500

* Values for hydraulic fluid being fed to piston side



Scope of supply

Drive diesel engine, 49kW, Kirloskar model – HA494, Air cooled.

Square outriggers 3 Nos – (2 x mech. 15° slanting and 1 x straight)

Hopper with agitator

Operating manuals and spare part lists 2x

Trailer F 8, travelling on site

Grille 70 mm

Splash guard

Mechanical jack with tow bar

Cast wear parts, highly wear resistant

Chrome delivery cylinder

Single Agitator motor

OPS control system, with electronic stroke change signals

Reducer kit, consisting of -reducer 6" – 5 1/2 " – 1200mm including 6" coupling and seal

SBU

Optional

Flushing water pump, 22 bar, easy for operation

Connection kit for connecting alternative pipelines, consisting of:

- PM weld on ring 5 1/2"
- PM clamp coupling 5 1/2"
- P M seal 5 1/2"

Compressor 7.5 HP, Max. working pressure 12 bar

Rubber collar

Auto Greasing system

RSA - Grill Safety

- SEE QUOTATION FOR EXACT SERIAL DELIVERY SCOPE.
- COMPREHENSIVE RANGE OF OPTIONS AVAILABLE ON REQUEST

Putzmeister Concrete Machines Pvt. Ltd.

Plot No. N4, Phase 4, Verna Industrial Estate,
Salcette - Goa 403 722. INDIA

Tel.: +91 (832) 6696 000 · Fax: +91 (832) 6696 300

Whatsapp: +91 91585 34123 · www.putzmeister.com



For all your support needs, contact.india@putzmeister.com

1800 - 267 - 2678

TOLL-FREE NUMBER FOR ENQUIRIES AND SERVICE REQUESTS