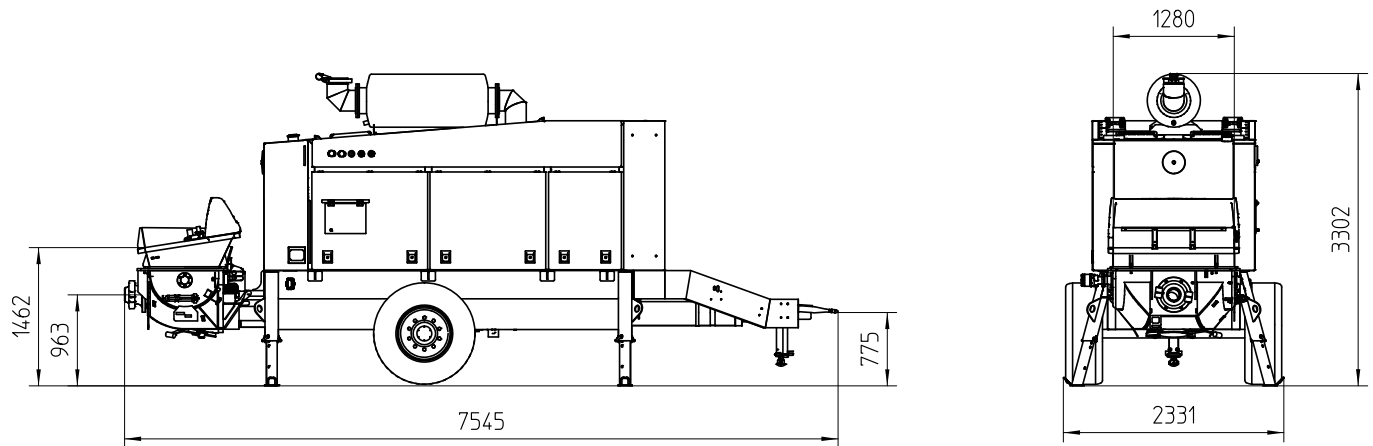


# Stationary concrete pump

# BSA 14000 SHP D

The machine for extreme applications  
Output up to 72 m<sup>3</sup>/h



Note: Standard version. Dimensions and weights depend on equipment. Subject to technical modifications and errors.

## Technical data

| Model                |                   | BSA 14000 SHP D     |
|----------------------|-------------------|---------------------|
| Material number      |                   | 102362.000          |
| Output               | m <sup>3</sup> /h | 72 / 37 *           |
| Delivery pressure    | bar               | project specific +) |
| Delivery cylinder    | Ø mm              | 180                 |
| Delivery cyl. stroke | mm                | 2100                |
| Strokes / minute     |                   | 22 / 11 *           |
| Engine               | kW                | 470                 |
| Hopper               |                   | RS 905 SHP          |
| Capacity             | l                 | approx. 600         |
| Filling height       | m                 | 1.3                 |
| Transfer tube        |                   | S 1812 D            |
| Line connection      | mm                | ZX 125              |
| Pressure connection  | "                 | 8                   |
| Control system       |                   | EPS FFH-20          |
| Weight               | kg                | 11000               |

\* Option, Values for hydraulic fluid being fed to piston-side

+) works setting 250 bar  
All data max. theoretical

## Serial equipment

|   |   |
|---|---|
| Agitator safety switch off  | Ergonic Graphic Display (EGD)                           |
| Balloon tyres incl. transport protection                                  | Flushing water pump                                     |
| Cable remote control 10 m   | 160 l/min 25 bar  |
| Central lubrication on hopper, electrically                               | Gate valve connection                                   |
| Cleaning accessories  | Grill 60 mm   |
| Coloring: Pump, frame, roof and tank anthracite grey; cover chrome yellow | Hard metal wear parts                                   |
| Concrete hopper with agitator   | Operating manuals (1× paper, 1× CD-ROM) spare part list |
| Concrete output adjust, electrically                                      | Outriggers 4× mech.                                     |
| Concrete pressure adjust, electrically                                    | Pump flow meter   |
| Coupling ring (DIN)   | Set-up foot hydraulically                               |
| Drive diesel, CAT 470 kW (Option: 571 kW)                                 | Speed drawdown automatically on pump stop               |
| Electronic error management   | Splash guard  |
|   | Tool set incl. standard equipment                       |
|   | Trailer F8, can be driven on job site                   |

See quotation for exact serial delivery scope.  
Comprehensive range of options available on request.