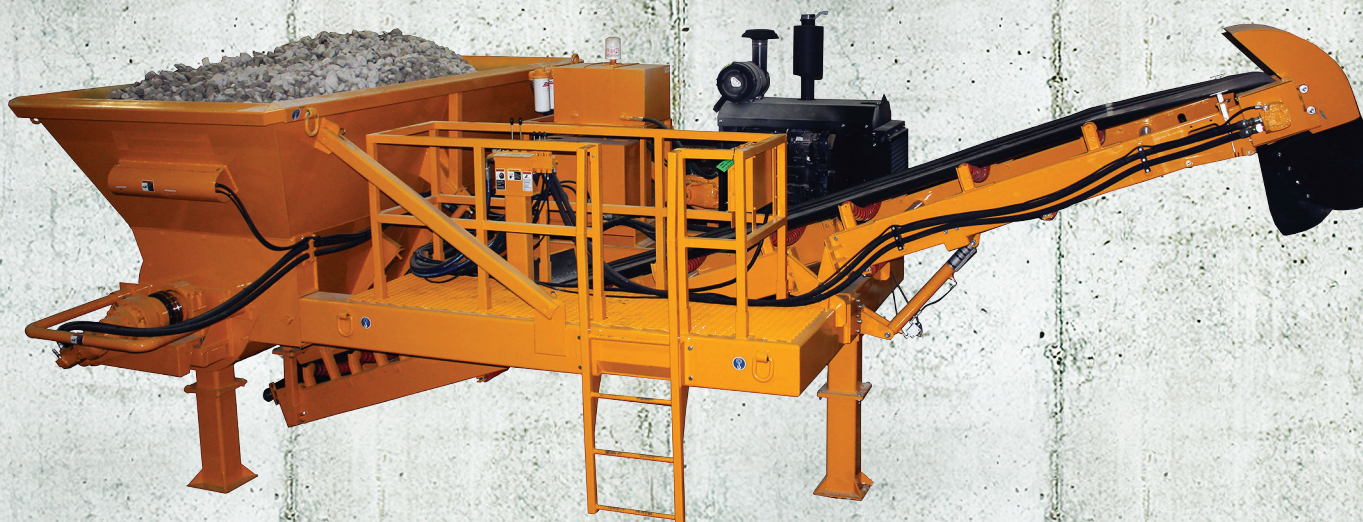


# Putzmeister

JUMBOTROUGH HD | SURGE HOPPER

JUMBOTROUGH HD

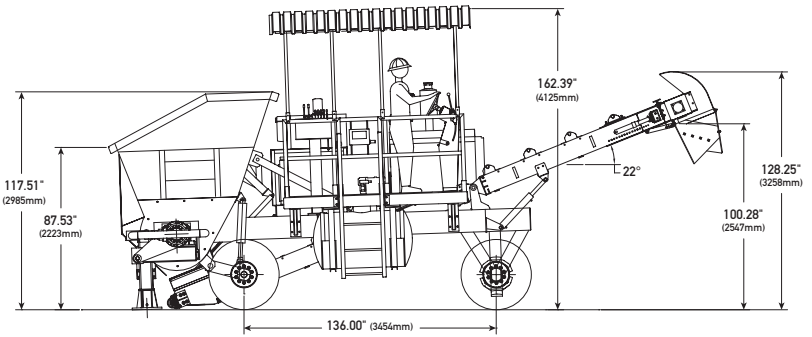
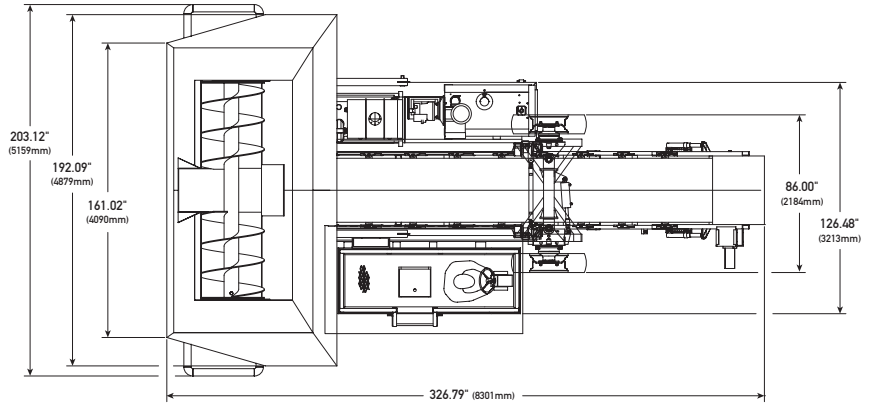


# PUTZMEISTER JUMBOTROUGH HD

Available as a stationary or portable surge hopper, the Putzmeister Jumbotrough HD is designed to quickly and easily accept a full load of concrete, Roller Compacted Concrete (RCC), rock, sand, or dirt from any haul truck. It accurately meters the material to charge belt conveyors, buckets or concrete pumps, allowing trucks to quickly discharge their loads and maintain metered continuous flow for maximum efficiency and output.

## FEATURES

- Volume** Rated at 15 yd<sup>3</sup> (12m<sup>3</sup>) struck capacity
- Power** 115 hp (86kW) independent power pack with hydraulic drive for all surge hopper functions
- Auger** Twin flights, 36" (915mm) diameter, bi-rotational variable speed to pull material to center of hopper
- Auger Drive** Two heavy duty direct drive planetary gear cases
- Belt Conveyor** 36" (915mm) wide discharge belt by 20' (6.10m) long, rated at 0-6 yds<sup>3</sup>/min (0-4.80m<sup>3</sup>/min)
- Gate** Hydraulically operated 24" (610mm) wide gate to meter concrete onto discharge belt
- Shell** 1/4" (6.35mm) abrasive resistant steel with 1/4" (6.35mm) liners
- Vibrators** Twin hydraulically operated body vibrators to assist in discharge



15 yd<sup>3</sup> (12m<sup>3</sup>) capacity hopper loaded with 3" (76.20mm) diameter aggregate. Hopper can discharge material at rates up to 6 yd<sup>3</sup>/min (4.8m<sup>3</sup>/min). Operator is conveniently located to safely observe charging of hopper, feeding onto belt, and rate of discharge.



View inside hopper: Bi-directional, variable speed 36" (915mm) diameter auger with hard-faced flights for extended life.

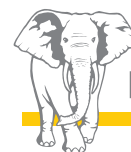
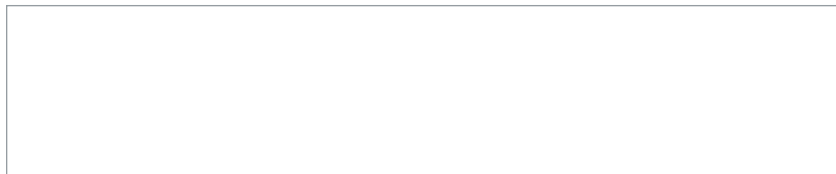


Unique auger flights move material to center of hopper to assist with feeding material to discharge gate. Discharge gate is hydraulically operated and adjustable to match control flow of material on the conveyor. Auger is variable speed, providing maximum control and reduced wear.



36" (915mm) wide hydraulically operated variable speed conveyor can discharge concrete, RCC, rock, sand or dirt.

Authorized Distributor



**Putzmeister**

Putzmeister America, Inc.  
1733 90th Street  
Sturtevant, WI 53177 USA

Phone (262) 886-3200  
Toll-free (800) 884-7210  
Fax (262) 884-6338

[PutzmeisterAmerica.com](http://PutzmeisterAmerica.com)

[pmr@putzam.com](mailto:pmr@putzam.com)